

Global Motion Technology Inc (www.motiontek.ca)

Pulley catalog no. CN-T501

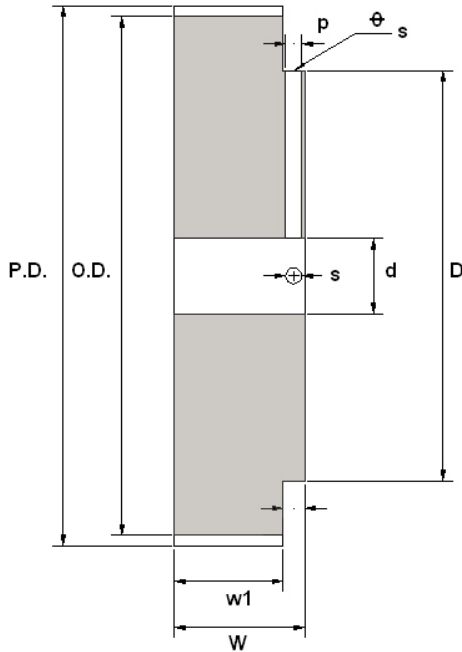
Material Aluminum

Clear Anodized

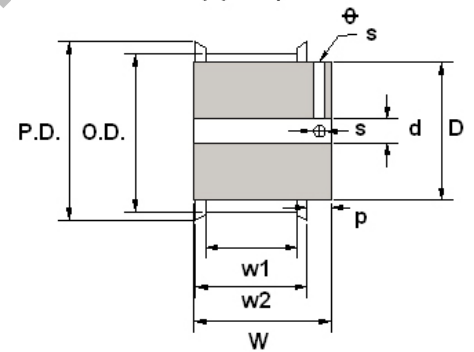
All Pulleys come with two set screw (S)

All measurement are in metric mm, each inch = 25.4 mm

(B) Shape



(A) Shape



Type	Shape	No of Teeth	d	D	P.D.	O.D.	W	w1	w2	p	s
T5AA-16	A	16	6.35	18	32	24.6	27	21	17	6	M5
T5AA-20	A	20	12.7	23	37	30.98	27	21	17	6	M5
T5AB-60	B	60	15	65	94.65	90.65	27	21	-	6	M5

Reducer with high precision T5 Pulleys & Timing Belt

Ratio 3:1

T5AB-60/60 tooth pulley
 T5AA-20/20 tooth pulley
 B5-100/Belt 500mm length, 15mm width

Ratio 3.6:1

T5AB-60/60 tooth pulley
 T5AA-16/16 tooth pulley
 B5-100/Belt 500mm length, 15mm width

