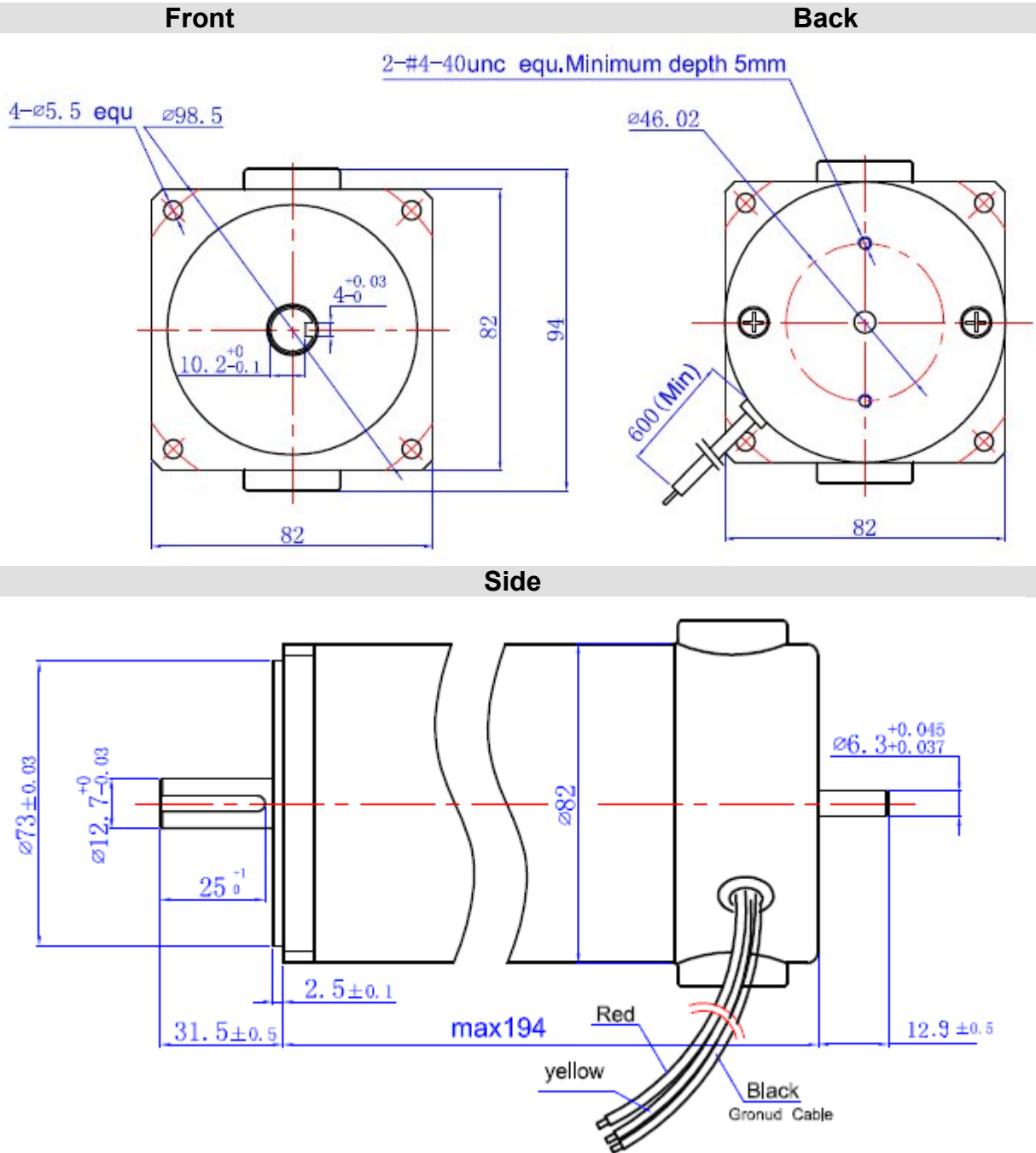


Global Motion Technology Inc

www.motiontek.ca

SM34840 DC Servo Motor

Drawing in Metric each 1 inch = 25.4 mm



Global Motion Technology Inc

www.motiontek.ca



DC Servo Motor Specification

Frame Size	Nema34
Constant Torque	170 oz/in – 1.2 N.M
Peak Torque	840 oz/in – 6.0 N.M
Continuous Current	7.8 Amp
Peak Current	40 Amp
Maximum Speed	4500 RPM ±10 % AT 72V 2750 RPM ±10 % AT 50V
Resistance	0.983 ohm
Inductance	1.435 mh
Terminal Voltage	72 VDC
Front shaft diameter/length	½”/1.14”
Encoder Shaft diameter/length	¼”/0.507”

Encoder Optional Encoder Specification

Encoder Type Optical, 5 Pins Single-Ended, 500 CPR or 1000 CPR with Latching connector & optional latching cable 5 pins.

