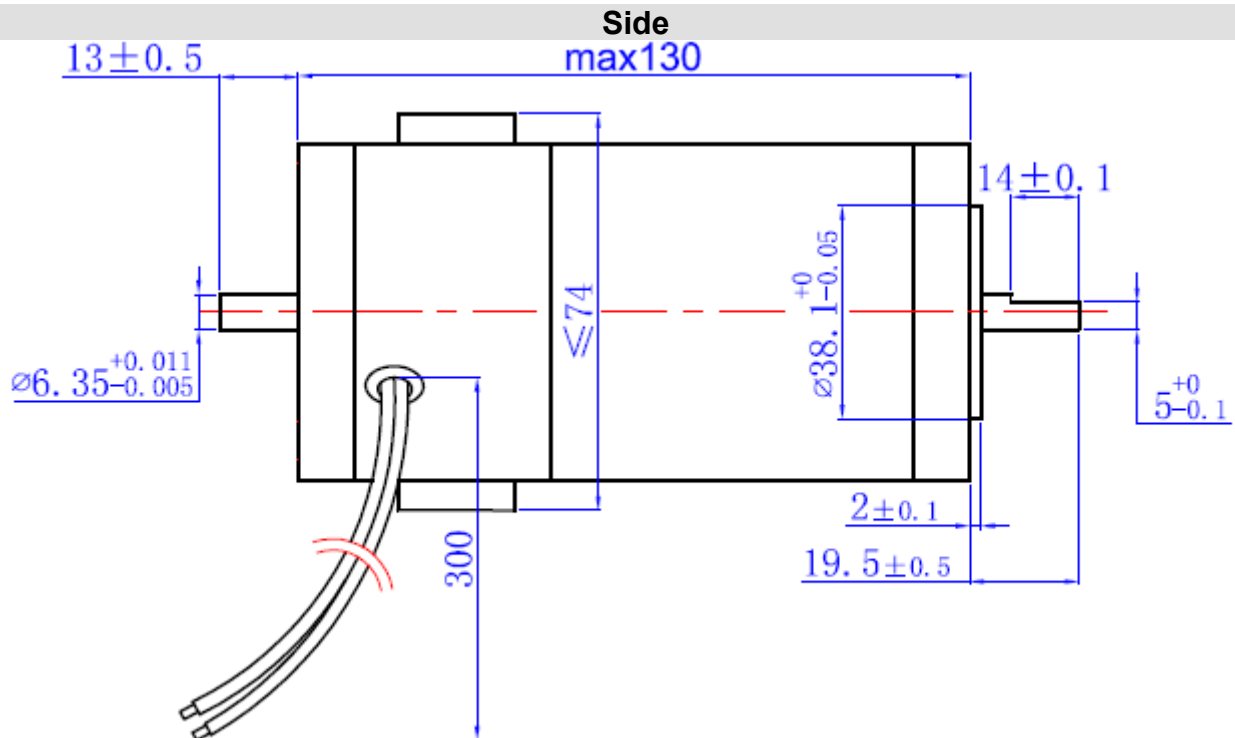
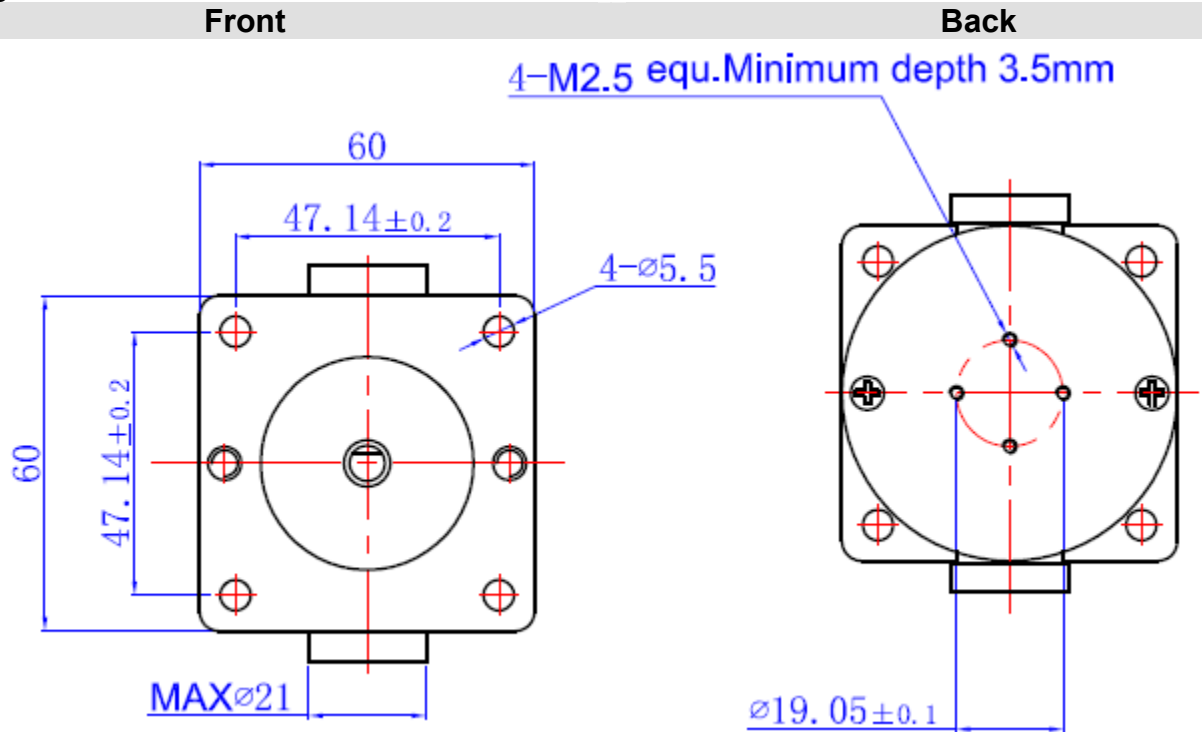


Global Motion Technology Inc

www.motiontek.ca

SM23240 DC Servo Motor

Drawing in Metric each 1 inch = 25.4 mm



Global Motion Technology Inc

www.motiontek.ca



DC Servo Motor Specification

Frame Size	Nema23
Constant Torque	50 oz/in – 0.35 N.M
Peak Torque	240580 oz/in – 1.7 N.M
Continuous Current	3.4 Amp
Peak Current	15 Amp
Maximum Speed	6500 RPM $\pm 10\%$ at 60V
Resistance	2.739 ohm
Inductance	2.72 mh
Terminal Voltage	60 VDC

Encoder Optional Encoder Specification

Encoder Type Optical, 5 Pins Single-Ended, 500 CPR, Latching connector & optional latching cable 5 pins.