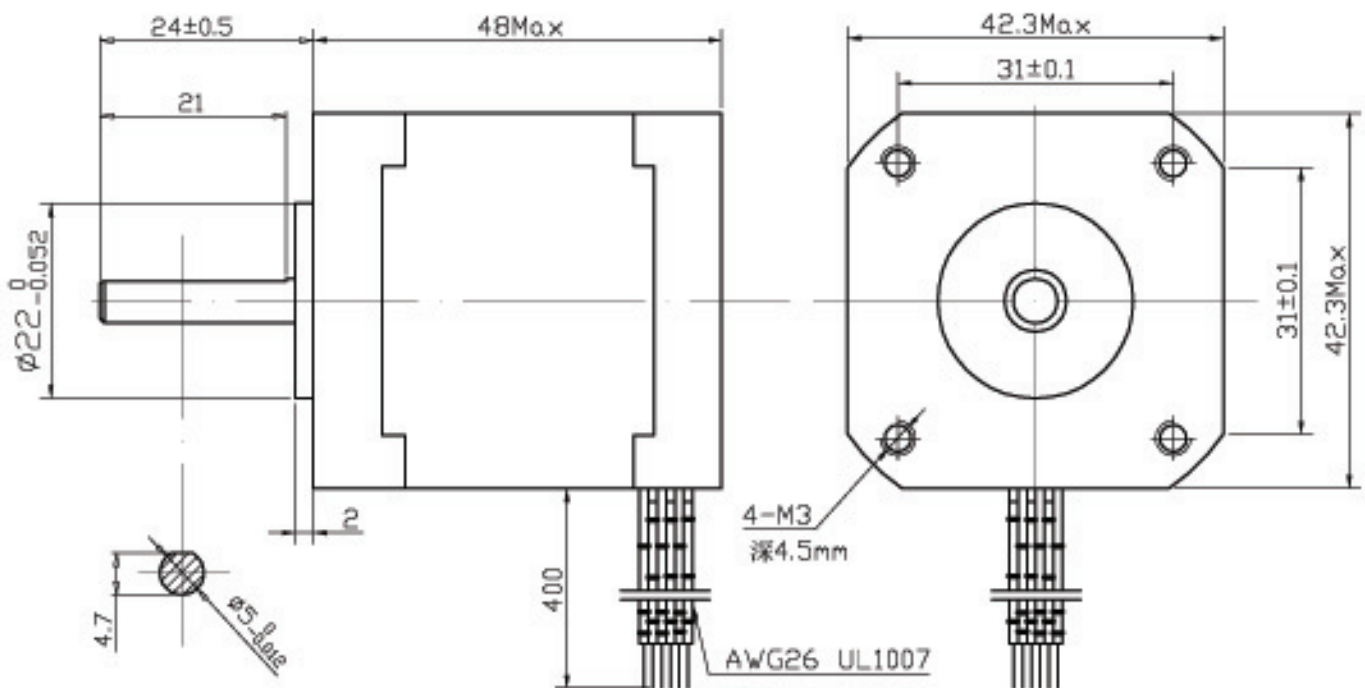


Stepper Motor M66

SPECIFICATIONS

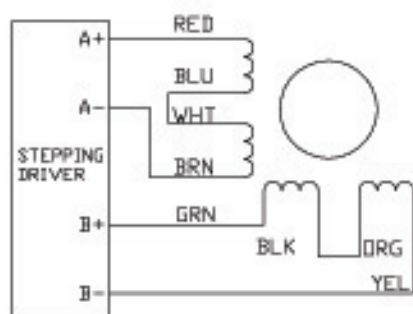
PHASE	STEP ANGLE	CONNECTION STYLE	CURRENT	RESISTANCE	INDUCTANCE	HOLDING TORQUE	CLASS OF INSULATION	WEIGHT
	DEG/STEP		A	ohms±10%	mH±20%	$\square z_{in}(N.m)$		Kg
2	1.8	parallel	1.4	2.3	4	66(0.47)	B	0.35
2		series	0.7	9.2	16	66(0.47)		
4		unipolar	1.0	4.6	4.0	48(0.34)		

DIMENSION: Units :mm

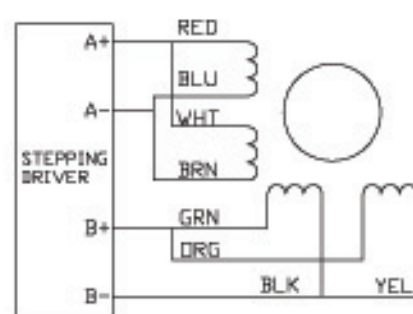


WIRING DIAGRAM

Bipolar Series



Bipolar Parallel



Unipolar

