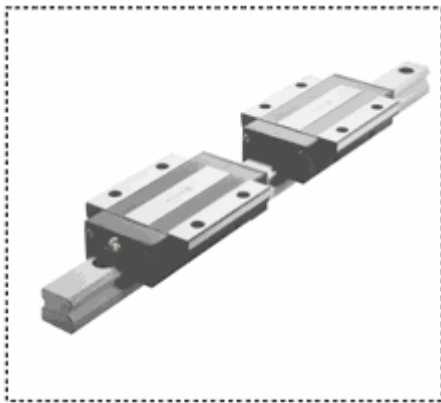
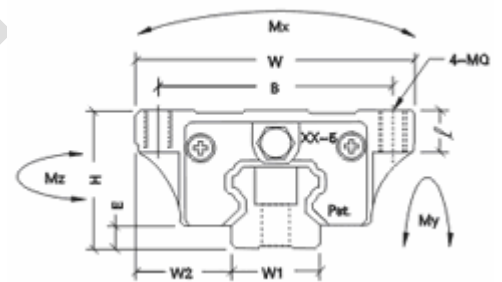
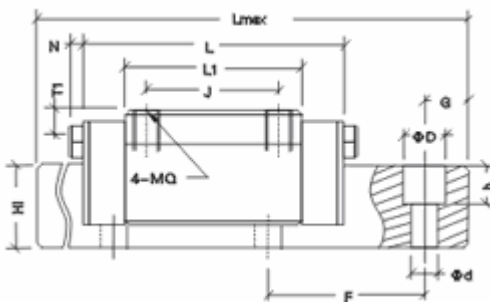


## LINEAR GUIDEWAY (SR BSRA AL)



### SR Rail BSRA AL Pillow Bearing



MODEL NO.	Assembled Dimension				Seat Dimension (mm)							Track Dimension (mm)			
	H	W	W2	E	L	BXJ	MQX&	L1	Hole of oil	T1	N	W1	H1	F	dXDXh
BSRA15	24	47	16	4.6	66	38X30	M5X8	40	ø3	4.3	5	15	14	60	4.5X7.5X5.3
BSRA20	30	63	21.5	5	77.8	53X40	M6X9	48.8	M6X1	5	6.5	20	18	60	6X9.5X8.5
BSRA20L					92.4			63.4							
BSRA25	36	70	23.5	7	88	57X45	M8X12	57	M6X1	5	6.5	23	22	60	7X11X9
BSRA25L					110.1			79.1							
BSRA30	42	90	31	9	109	72X52	M10X12	72	M6X1	7	6.5	28	26	80	9X14X12
BSRA30L					131.3			94.3							
BSRA35	48	100	33	9.5	119	82X62	M10X13	80	M6X1	8	6.5	34	29	80	9X14X12
BSRA35L					144.8			105.8							
BSRA45	60	120	37.5	14	148.2	100X80	M12X15	105	M8X1	10	13	45	38	105	14X20X17
BSRA45L					173			129.8							
BSRA55	70	140	43.5	15	170	116X95	M14X20	121	M8X1	11	13	53	44	105	16X23X20
BSRA55L					205.1			156.1							

MODEL NO.	(mm)		Basic Load Rating		(kgf*m)			Weight	
	L max	G	C (kgf)	Co (G)	Mx	My	Mz	Block (kgf)	Track(kgf/M)
BSRA15	4000	20	850	1650	10	8	8	0.19	1.4
BSRA20	4000	20	1450	2560	22	18	18	0.4	2.6
BSRA20L			1900	3330	28.6	23.4	23.4	0.52	
BSRA25	4000	20	2140	4000	36	31	31	0.57	3.6
BSRA25L			2996	5600	50.4	43.4	43.4	0.72	
BSRA30	4000	20	2980	5490	60	49	49	1.1	5.2
BSRA30L			3900	7190	78.5	65	65	1.4	
BSRA35	4000	20	3960	7010	96	73	73	1.6	7.2
BSRA35L			5230	9270	125	95	95	2	
BSRA45	4000	22.5	6740	12100	216	168	168	2.7	12.3
BSRA45L			8330	14950	267	210	210	3.6	
BSRA55	4000	30	9940	17100	367	288	288	5	16.9
BSRA55L			12820	22060	473	375	375	6.4	